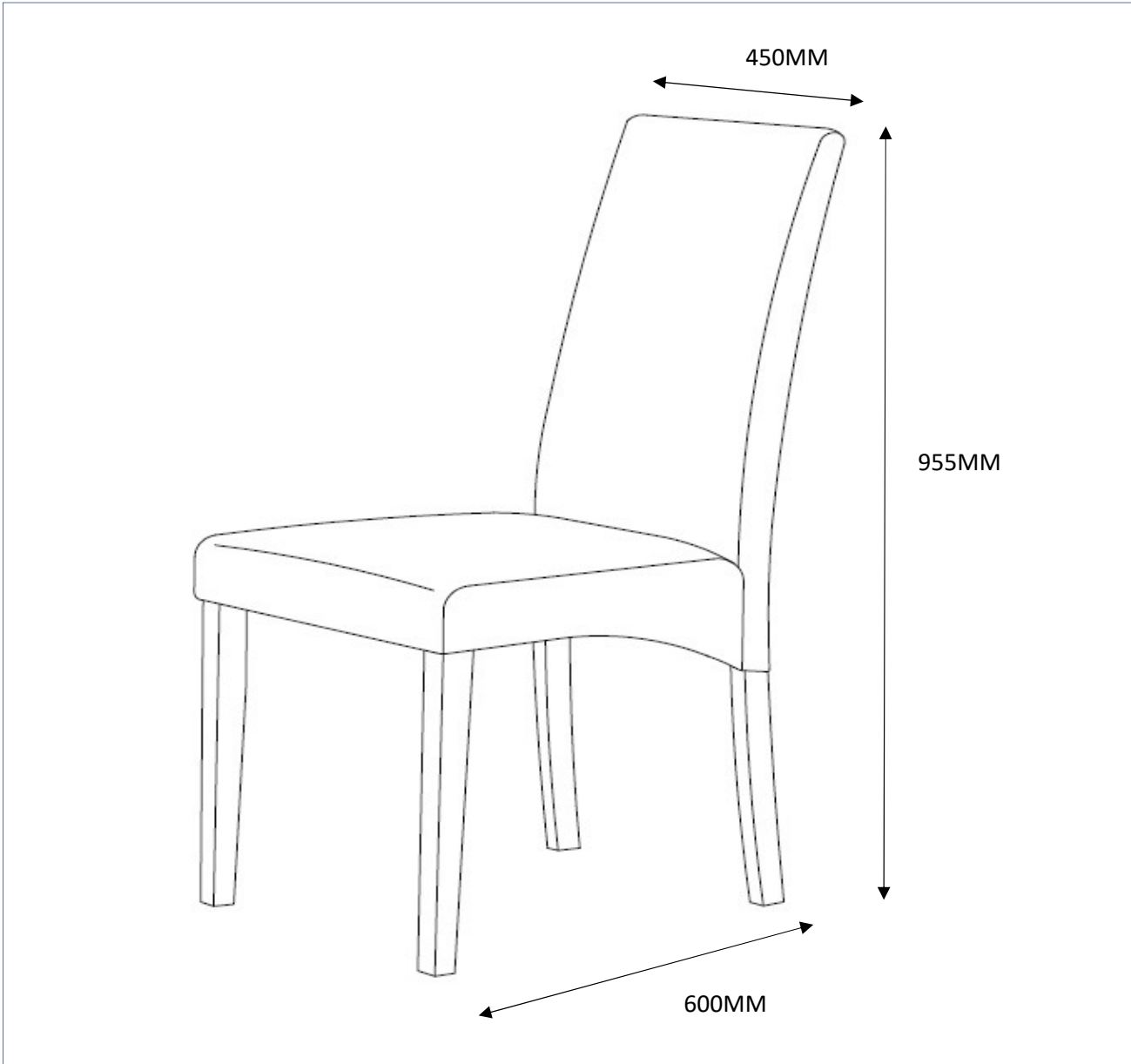


ASSEMBLY INSTRUCTION

SUMMIT DINING CHAIR

ITEM CODE 51814

Imported by Amart Furniture Pty Ltd, Qld, Brisbane Australia.
For any assistance with assembly or for missing parts please phone Amart
Furniture Ewing Road, Customer Service Free call 1800 351 084



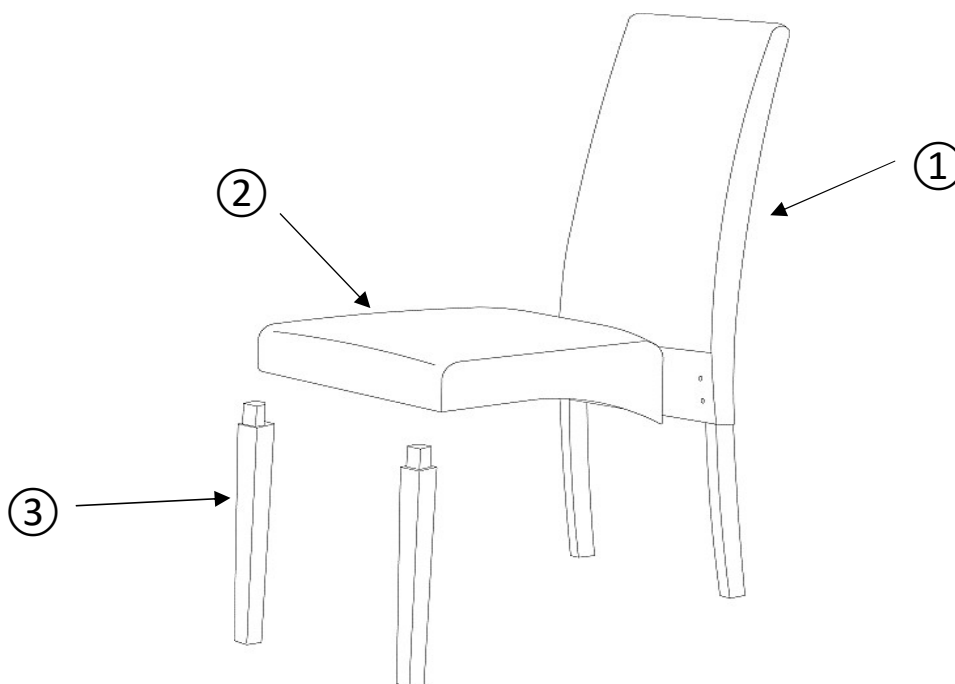
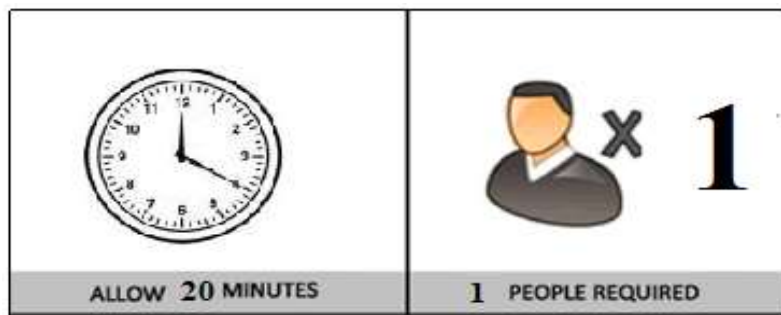
Imported by Amart Furniture Pty Ltd, Qld, Brisbane Australia.
For any assistance with assembly or for missing parts please phone Amart
Furniture Ewing Road, Customer Service Free call 1800 351 084

PRE-ASSEMBLY PREPARATION

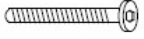

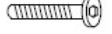



BEFORE YOU START...

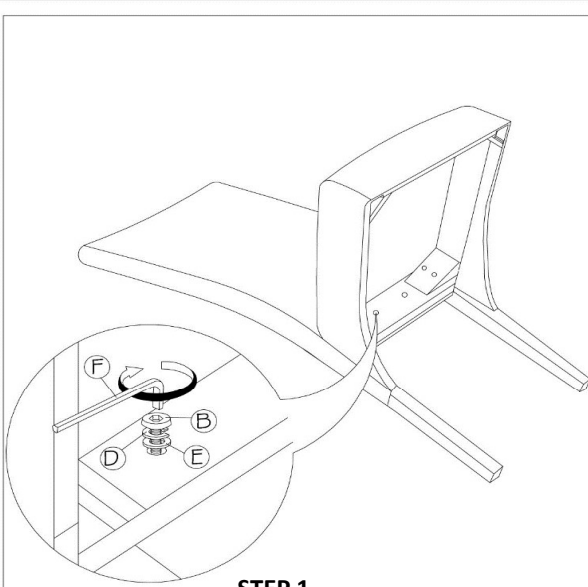
1. CHOOSE A CLEAN, LEVEL, SPACIOUS ASSEMBLY AREA. AVOID HARD SURFACES THAT MAY DAMAGE THE PRODUCT.
2. CHECK AND ENSURE THAT YOU HAVE ALL THE REQUIRED CONTENTS FOR COMPLETE ASSEMBLY.
3. ALWAYS READ THE ASSEMBLY INSTRUCTIONS CAREFULLY BEFORE BEGINNING ASSEMBLY.
4. THE PACKAGING AND CONTENTS CAN BE CHOKING HAZARDS, THEREFORE KEEP OUT OF REACH OF SMALL CHILDREN AT ALL TIMES.

IMPORTANT NOTE – BEFORE FINALLY TIGHTENING THE BOLTS, PLACE THE ASSEMBLED CHAIR UPRIGHT ON A LEVEL SURFACE AND SIT CAREFULLY ON THE CHAIR TO ENSURE THE CHAIR LEGS ARE ALIGNED AND LEVEL. THEN TIGHTEN ALL BOLTS AND YOUR CHAIR IS READY FOR USE.

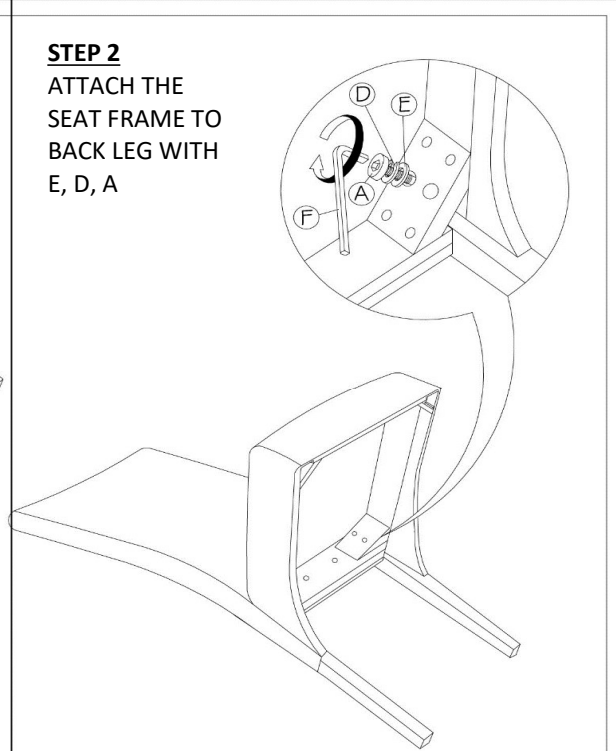


HARDWARE LIST

ITEM	NAME	DESCRIPTION	QTY	ITEM	NAME	DESCRIPTION	QTY
A	JCBC BOLT M6 X 90mm		4 PCS	D	SPRING WASHER		10 PCS
B	JCBC BOLT M6 X 60mm		2 PCS	E	FLAT WASHER		10 PCS
C	JCBC BOLT M6 X 50mm		4 PCS	F	ALLEN KEY		1 PC

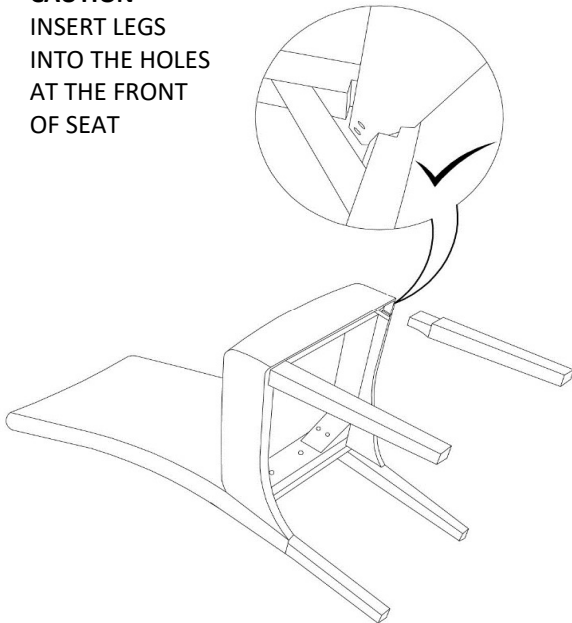


STEP 1
ALIGN BOTH OF THE BACK RAILS AND ATTACH SEAT FRAME TO THE BACKREST WITH E, D, B AS SHOWN IN THE DIAGRAM

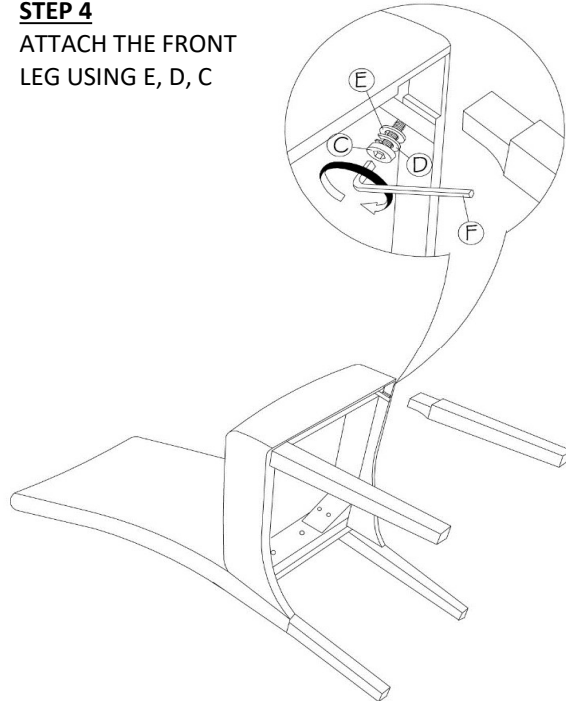


STEP 2
ATTACH THE SEAT FRAME TO BACK LEG WITH E, D, A

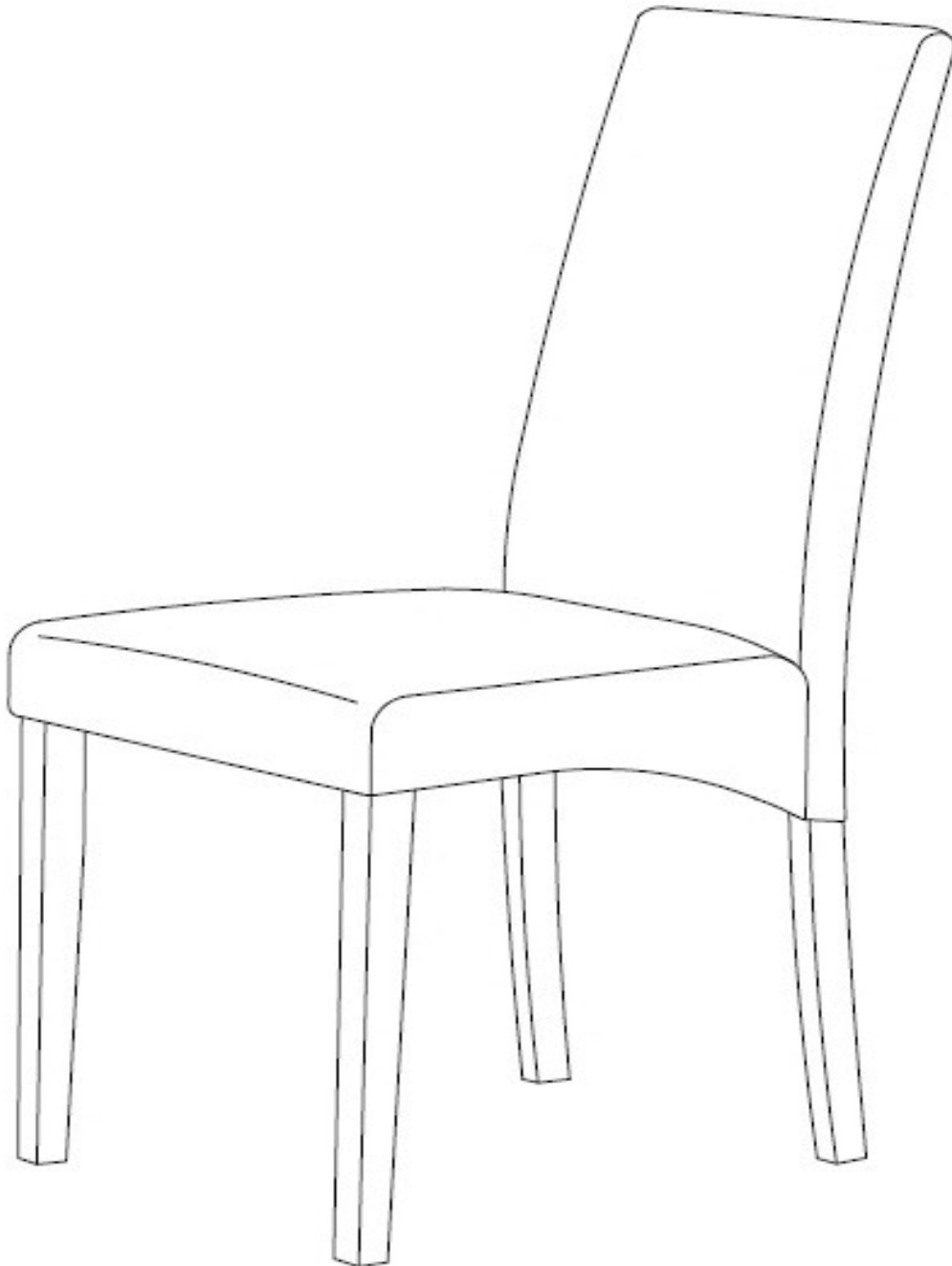
STEP 3
CAUTION
INSERT LEGS INTO THE HOLES AT THE FRONT OF SEAT



STEP 4
ATTACH THE FRONT LEG USING E, D, C



IMPORTANT NOTE – BEFORE FINALLY TIGHTENING THE BOLTS, PLACE THE ASSEMBLED CHAIR UPRIGHT ON A LEVEL SURFACE AND SIT CAREFULLY ON THE CHAIR TO ENSURE THE CHAIR LEGS ARE ALIGNED AND LEVEL. THEN TIGHTEN ALL BOLTS AND YOUR CHAIR IS READY FOR USE.



COMPLETED ASSEMBLY